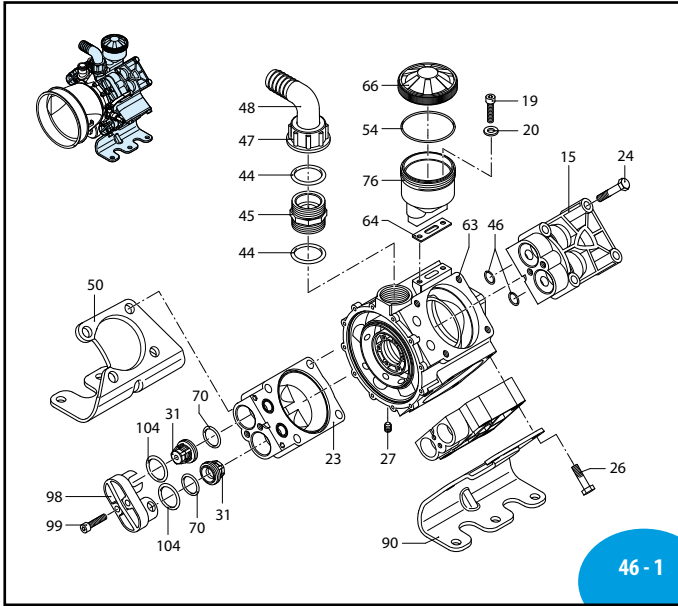


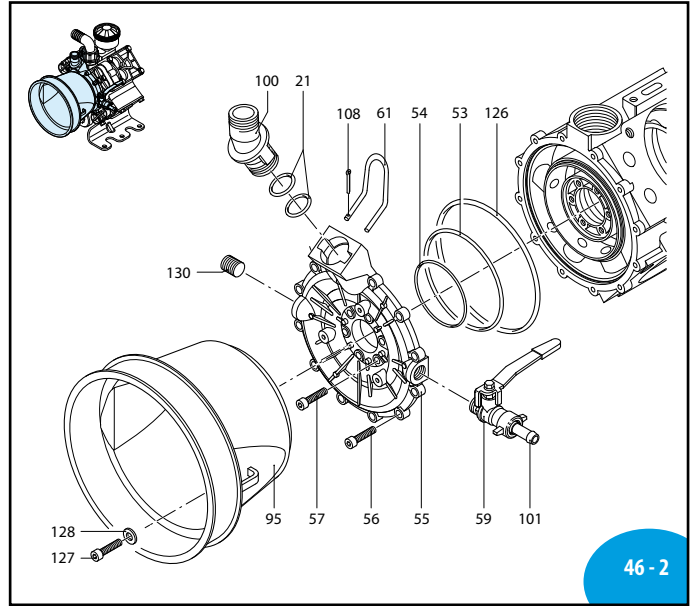
ANNOVIREVERBERI

AR 1064



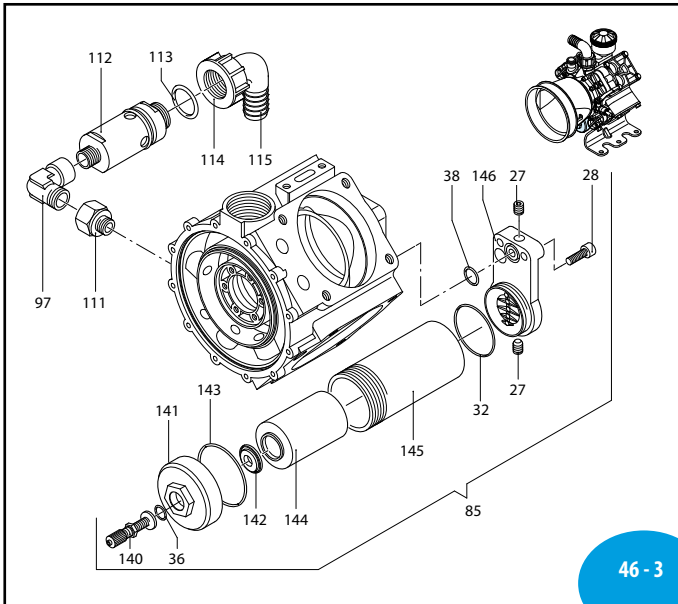
46 - 1

UN000303-NF



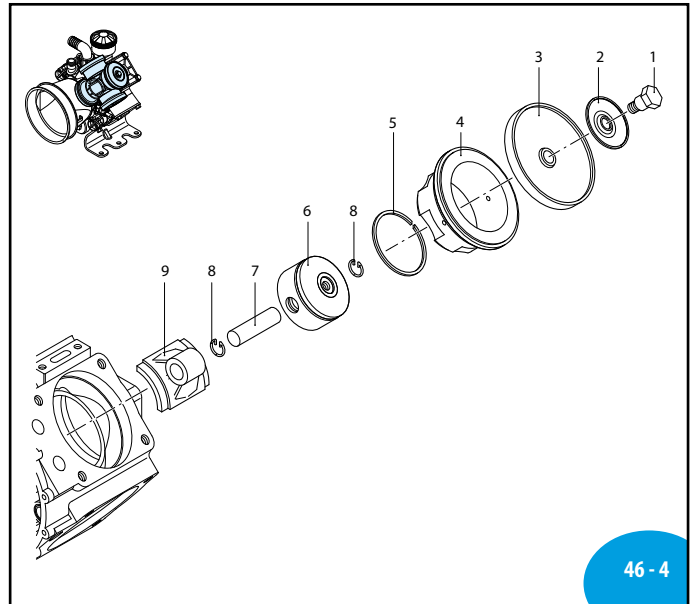
46 - 2

UN000304-NF



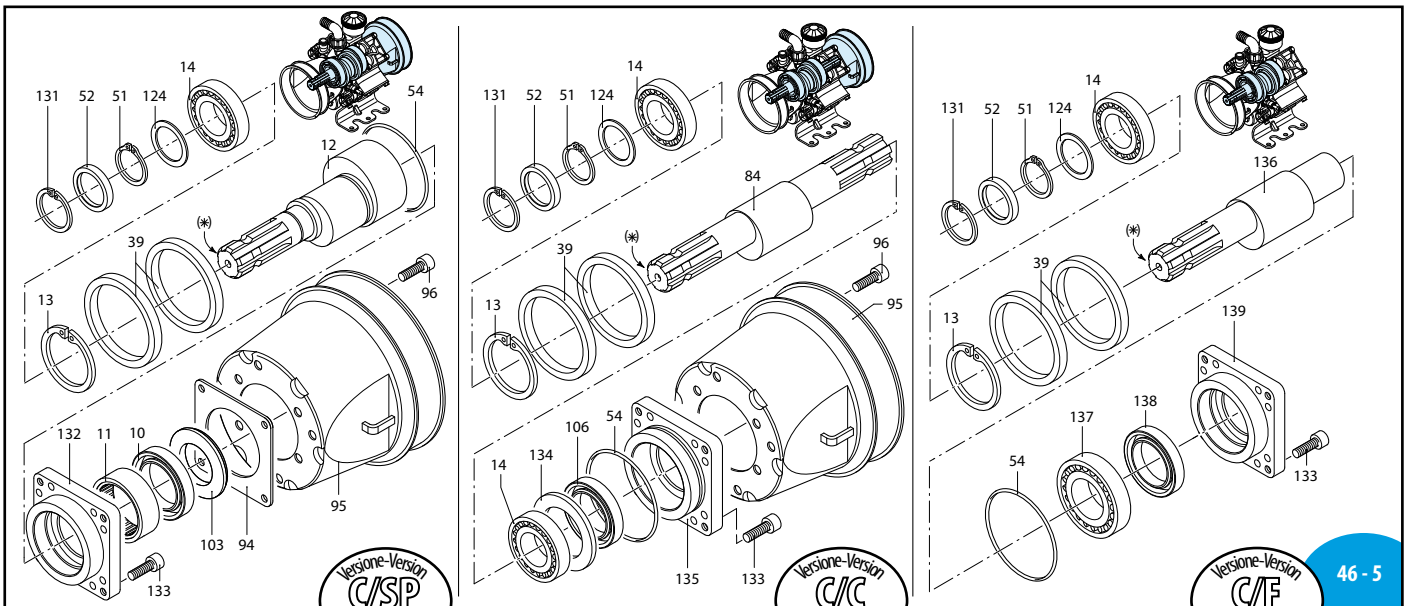
46 - 3

UN000305-NF



46 - 4

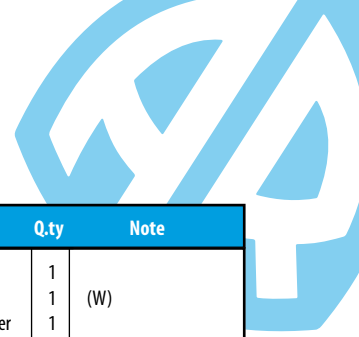
UN000306-NF



46 - 5

UN000307-LE

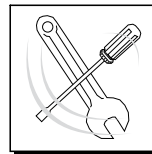
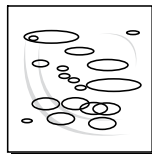
AR 1064



Pos.	Cod.	Descrizione	Description	Q.ty	Note
1	580361	Perno membrana	Diaphragm pin	4	⊙ ⊙ _{29,43}
2	1040180	Piastra di richiamo	Plate	4	
	1040080	Membrana	Diaphragm	4	Desmopan
	1040081	Membrana	Diaphragm	4	Gomma
4	1500080	Camicia	Sleeve	4	
5	650190	Segmento	Piston ring	4	
6	1040120	Pistone	Piston	4	
7	1040070	Spinotto	Piston pin	4	
8	1040270	Anellino spinotto	Pin ring	8	
9	1800050	Biella	Connecting rod	4	
10	1400150	Anello tenuta	Seal ring	1	
11	650200	Cuscinetto a rullini	Roller bearing	1	
12	1800200	Albero eccentrico "C/SP"	"C/SP" shaft	1	(34) ▶
13	161050	Anello seeger	Circlip	1	
14	1800170	Cuscinetto	Bearing	2	
15	1040551	Testa DX	Right head	2	
19	680350	Vite TCEI M 8x35	Bolt	2	⊙ _{9,81}
20	380241	Rosetta ø 8,5	Washer	2	
21	390180	OR ø 18,72x2,62	O-Ring	2	▶
23	1040552	Testa SX	Left head	2	
24	1480040	Vite TE M 12x60	Bolt	8	⊙ _{49,05}
26	750060	Vite TE M 12x65	Bolt	8	⊙ _{49,05}
27	1040470	Grano M 10x8	Dowel	3	⊙
28	320360	Vite TCEI M 8x22	Bolt	2	⊙ _{19,62}
31	1409050	Valvola completa	Complete valve	8	
32	540360	OR ø 44,12x2,62	O-Ring	1	▶
36	650542	Guarnizione	Gasket	1	
38	640070	OR ø 13,95x2,62	O-Ring	1	▶
39	1040340	Anello biella	Con rod ring	2	
44	250310	OR ø 36,14x2,62	O-Ring	2	▶
45	540530	Nipples 1"1/4-1"3/4 G (M)	Threaded adapter	1	
46	770571	OR ø 18,77x1,78	O-Ring	8	Viton ▶
47	540540	Girello 1"3/4 G	Ring nut	1	
48	540550	Curva ø 40	Elbow	1	
50	1820080	Piede SX	Left base	1	Vedi / See ●
51	1040570	Anello seeger	Circlip	1	
52	1040050	Anello tenuta	Seal ring	1	
53	1800161	OR ø 113,97x2,62	O-Ring	1	Viton ▶
54	1040060	OR ø 72,69x2,62	O-Ring	3	▶
55	1800150	Condotta mandata	Manifold	1	
56	1040370	Vite TCEI M 6x22	Bolt	12	⊙ _{9,81}
57	780060	Vite TCEI M 6x25	Bolt	6	⊙ _{9,81}
59	130491	Rub. 3/8"-1/2" G (M) DX	Right valve	1	ex 30491 ⊕
61	1040690	Forcella	Fork	1	
63	1820040	Corpo pompa	Pump body	1	
64	750040	Guarnizione serbatoio	Gasket	1	◇
66	1800060	Tappo serbatoio nero	Black oil tank cap	1	
70	620030	OR ø 25,80x3,53	O-Ring	8	▶

Pos.	Cod.	Descrizione	Description	Q.ty	Note
76	750030	Serbatoio olio	Oil tank	1	
84	1800180	Albero eccentrico "C/C"	"C/C" shaft	1	(W)
85	1538	Camera aria completa	Complete air chamber	1	
90	1820070	Piede DX	Right base	1	Vedi / See ●
94	1400140	Flangia anello tenuta	Flange	1	
95	1500350	Protezione cardano	Cardan protection	2	ø 199 mm
95	1500470	Protezione cardano	Cardan protection	2	ø 239 mm
96	820670	Vite TCEI M 10x16	Bolt	4	⊙ _{9,81}
97	881560	Gomito 90° 1/2" G (M)-(F)	Elbow	1	■
98	1300190	Tappo valvola	Valve cap	4	
99	620610	Vite TCEI M 8x30	Bolt	8	⊙ _{19,62}
100	1040760	Attacco 3/4" G	Coupling	1	
101	110131	Racc. 1/2" G+tub. ø10	Fitting 1/2" G+hose ø10	2	ex 10131
103	1400110	Centraggio flangia "C/SP"	"C/SP" flange spigot	1	
104	540361	OR ø 33,05x1,78	O-Ring	8	▶
106	160740	Anello tenuta	Seal ring	1	
108	1040950	Copiglia	Split pin	1	
111	881461	Manic. 3/8"-1/2" G (M)-(F)	Threaded adapter	1	■
112	1609002	Valvola di sicurezza	Safety valve	1	■
113	880831	OR ø 15,54x2,62	O-Ring	1	Viton ▶
114	550450	Girello 3/4" G	Ring nut	1	
115	550460	Curva ø 18	Elbow	1	
124	1040850	Anello	Ring	1	
126	1400120	OR ø 145,72x2,62	O-Ring	1	▶
127	1343510	Vite TCEI M 6x14	Bolt	3	⊙ _{9,81}
128	881710	Rosetta ø 6	Washer	3	
129	130492	Rub. 3/8"-1/2" G (M) SX	Left valve	1	ex 30492
130	1800240	Grano 3/8" G	Dowel	1	⊕
131	1460490	Anello seeger	Circlip	1	
132	1800210	Flangia albero "C/SP"	Flange "C/SP" version	1	
133	180030	Vite TCEI M 8x20	Bolt	8	⊕ ⊙ _{9,81}
134	1800230	Distanziale	Spacer	1	
135	1800220	Flangia albero "C/C"	Flange "C/C" version	1	
136	1800190	Albero eccentrico "C/F"	"C/F" shaft	1	(Q)
137	230310	Cuscinetto	Bearing	1	
138	200150	Anello tenuta "C/F"	Seal ring "C/F"	1	
139	1800120	Flangia albero "C/F"	Flange "C/F" version	1	
140	1800350	Valvola di gonfiaggio	Air valve	1	
141	1800270	Coperchio camera aria	Air chamber cover	1	
142	1800311	Disco	Plate	1	
143	650560	OR ø 56,82x2,62	O-Ring	1	▶
144	1800300	Semicamera aria	Semi air chamber	1	
145	1800280	Tubo camera aria	Air chamber tube	1	
146	1800320	Attacco camera aria	Air chamber connector	1	

● Da matricola N° 000501 - From serial number N° 000501



KIT 1953 Membrane gomma Buna diaphragms	
Pos.	Q.ty
3	4

KIT 1964 Valvole Valves	
Pos.	Q.ty
31	8
70	8

KIT 2378 OR O-Rings			
Pos.	Q.ty	Pos.	Q.ty
21	2	126	1
32	1	143	1
38	1		
44	2		
46	8		
53	1		
54	3		
70	8		
104	8		
113	1		

KIT 2379 Pronto intervento Maintenance repair					
Pos.	Q.ty	Pos.	Q.ty	Pos.	Q.ty
1	4	47	1	106	1
3	4	48	1	108	1
10	1	52	1	126	1
21	2	53	1	138	1
31	8	54	3	144	1
32	1	61	1		
36	1	66	1		
38	1	70	8		
44	2	76	1		
46	8	104	8		

Olio utilizzato Used oil	
Tipo - Type	Kg
Sae 20w 40	0,8

Alta Pressione
High Pressure