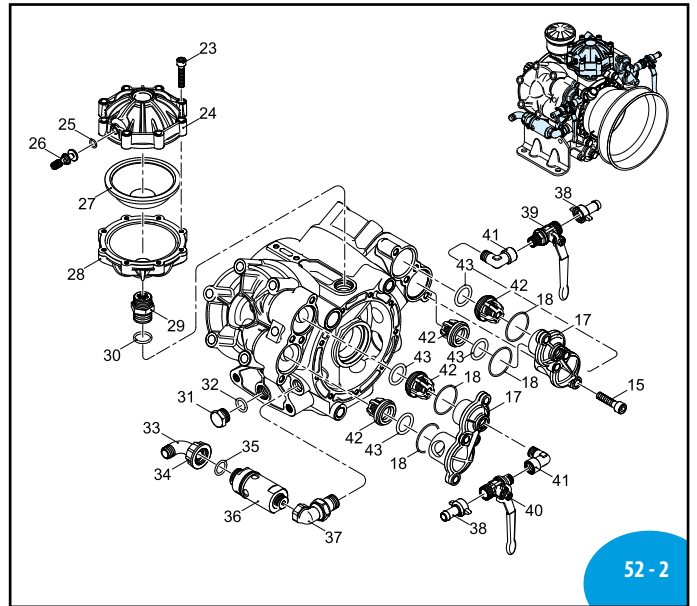


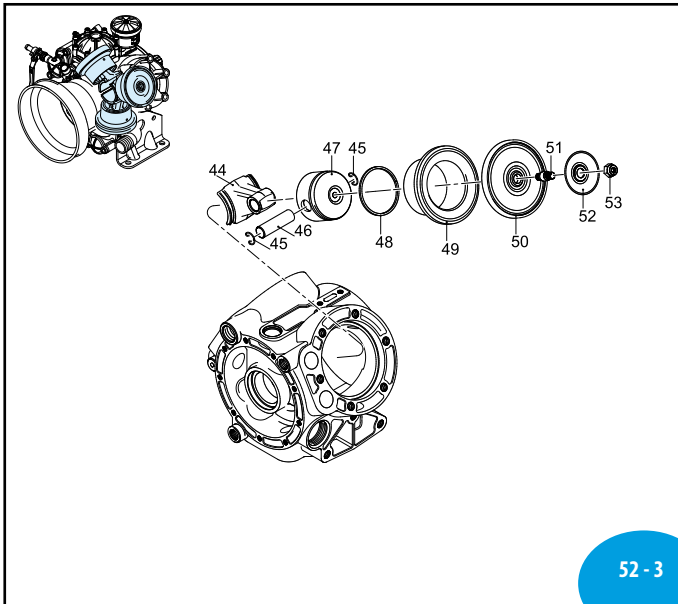
52 - 1

SL000001-EA



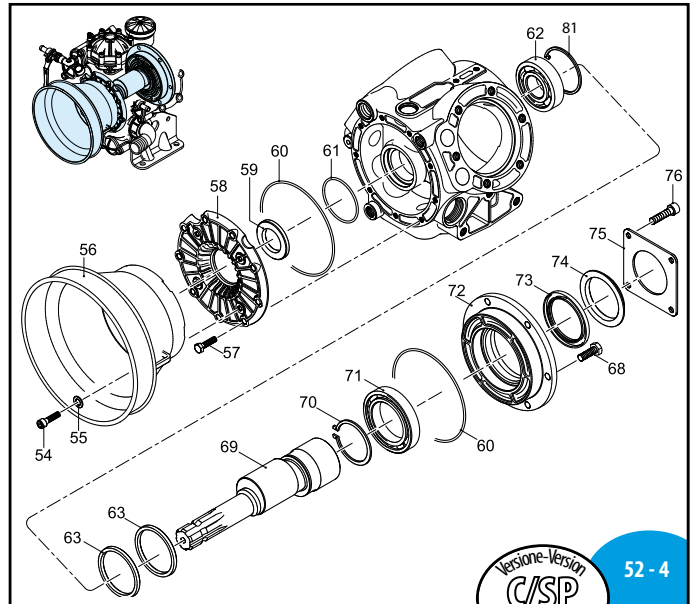
52 - 2

SL000002-EA



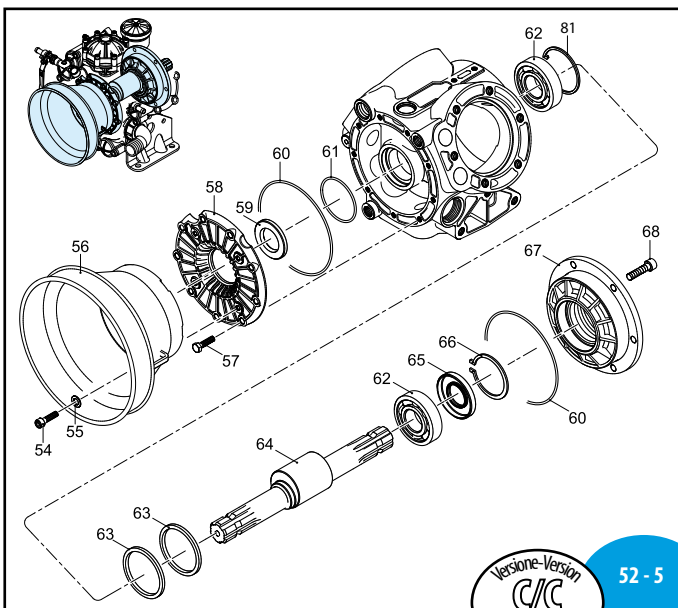
52 - 3

SL000003-EA



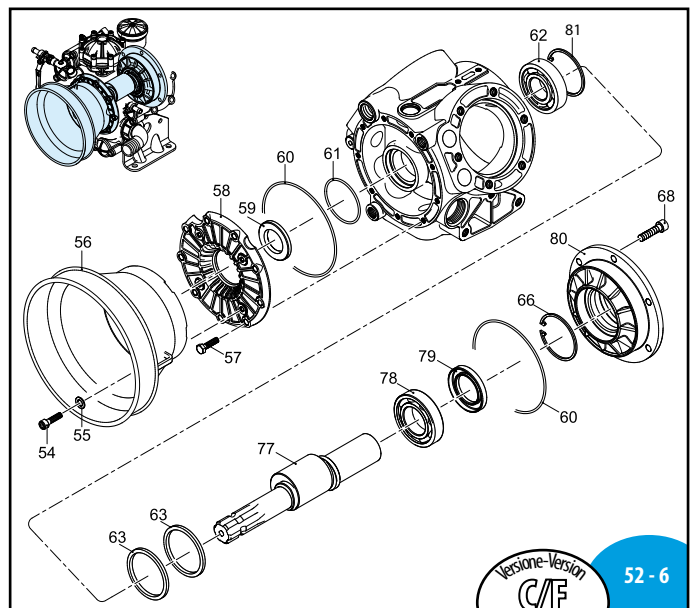
52 - 4

SL000003-EZ



52 - 5

SL000004-EZ



52 - 6

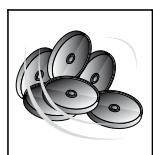
SL000005-EZ

AR 903 - AR 1053 - AR 1203

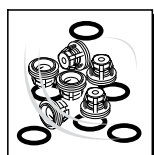
Pos.	Cod.	Descrizione	Description	Q.ty	Note
1	750051	Tappo serbatoio verde	Green oil tank cap	1	AR 903
1	1800060	Tappo serbatoio nero	Black oil tank cap	1	AR 1053
1	750050	Tappo serbatoio rosso	Red oil tank cap	1	AR 1203
2	1040060	OR 72,69x2,62	O-Ring	1	▶
3	750030	Serbatoio olio	Oil tank	1	
4	680350	Vite TCEI M 8x35	Bolt	2	⊕ _{19,62}
5	380241	Rosetta ø 8,5	Washer	2	
6	750040	Guarnizione	Gasket	1	⊗
7	2680010	Corpo pompa	Pump body	1	
8	2680030	Testa DX	Right head	2	
9	2680031	Testa SX	Left head	1	
10	750070	Vite TE M 12x70	Bolt	18	⊕ _{49,05}
11	540210	Vite TE M 12x25	Bolt	6	⊕ _{49,05}
12	2680100	Piede	Base	2	
13	1520650	OR 29,82x2,62	O-Ring	6	
14	130171	Tappo 3/8" G	Plug	3	⊕ _{19,62}
15	540300	Vite TCEI M 10x30	Bolt	12	⊕ _{29,24}
16	851650	Curva di mandata	Elbow	1	⊕
17	2680040	Coperchio valvole	Valves cover	3	
18	2680150	OR 42,52x2,62	O-Ring	6	▶
19	540550	Curva ø 40	Elbow	1	
20	540540	Girello 1"3/4 G	Ring nut	1	
21	250310	OR 36,14x2,62	O-Ring	2	▶
22	540530	Nipples 1"1/4-1"3/4 G (M)	Threaded adapter	1	
23	380410	Vite TCEI M 8x40	Bolt	8	⊕ _{19,62}
24	620234	Semicamera aria	Semi air chamber	1	
25	650542	Guarnizione	Gasket	1	▶
26	180020	Valvola di gonfiaggio	Air valve	1	⊕
27	550190	Semicamera aria	Semi air chamber	1	
28	2240481	Semisfera inferiore	Lower air chamber	1	
29	2240490	Nipples camera aria	Threaded adapter	1	■
30	720030	OR 22,22x2,62	O-Ring	1	
31	820361	Tappo 1/2" G	Plug	1	⊕ _{19,62}
32	180101	OR 17,5x2	O-Ring	1	▶
33	550460	Curva ø 50	Elbow	1	
34	550450	Girello 3/4 G	Ring nut	1	
35	880831	OR 15,54x2,62	O-Ring	1	▶
36	1609001	Valvola di sicurezza	Safety valve	1	AR 903 ■
37	1609002	Valvola di sicurezza	Safety valve	1	AR 1053/1203 ■
37	2680310	Raccordo	Fitting	1	⊕
38	110130	Girello 1/2"	Ring nut	2	
39	130491	Rubinetto 3/8"-1/2" DX	Right valve	1	⊕
40	130492	Rubinetto 3/8"-1/2" SX	Left valve	1	⊕
41	900210	Gomito 3/8" G (M)-(F)	Elbow	2	■
42	2689050	Valvola	Valve	6	AR 903/1053/1203
43	180240	OR 31,34x3,53	O-Ring	6	▶
44	2680320	Biella	Connecting rod	3	AR 903
44	2680090	Biella	Connecting rod	3	AR 1053/1203
45	160691	Anellino spinotto ø 18	Pin ring	6	

Pos.	Cod.	Descrizione	Description	Q.ty	Note
46	260700	Spinotto ø 18x63	Piston pin	3	
47	2240060	Pistone ø 72	Piston	3	
48	260230	Segmento ø 72x3	Piston ring	3	
48	2680060	Camicia	Sleeve	3	AR 903
48	2680070	Camicia	Sleeve	3	AR 1053
48	2680080	Camicia	Sleeve	3	AR 1203
48	550080	Membrana	Diaphragm	3	GOMMA
48	550084	Membrana	Diaphragm	3	VITON
48	550085	Membrana	Diaphragm	3	DESMOPAN
48	550086	Membrana	Diaphragm	3	H.P.D.S.
51	2240100	Perno membrana	Diaphragm pin	3	⊕ _{29,43}
52	580090	Piattello rich. membr.	Plate	3	
53	2240110	Dado M 10	Nut	3	⊕ _{29,43}
54	850250	Vite TCEI M 8x12	Bolt	4	⊕ _{19,62}
55	390311	Rosetta 8,5x17x1,5	Washer	4	
56	1500350	Protezione cardano	Cardan protection	1	ø 199 mm
56	1500470	Protezione cardano	Cardan protection	1	ø 239 mm
57	180370	Vite TE M 8x25	Bolt	9	
58	2680050	Condotto aspirazione	Suction manifold	1	
59	2680110	Anello tenuta	Seal ring	1	⊗
60	1400120	OR 145,72x2,62	O-Ring	2	⊗
61	2240270	OR 67,95x2,62	O-Ring	1	
62	230350	Cuscinetto	Bearing	2	⊗
63	2240540	Anello biella	Con rod ring	2	
64	2680170	Albero eccentrico "C/C"	"C/C" shaft	1	AR 903 (CA)
64	2680180	Albero eccentrico "C/C"	"C/C" shaft	1	AR 1053 (CB)
64	2680190	Albero eccentrico "C/C"	"C/C" shaft	1	AR 1203 (CC)
65	2680120	Anello tenuta	Seal ring	1	
66	161050	Anello seeger	Circlip	1	
67	2680020	Flangia supp. albero	Flange	1	
68	160670	Vite TE M 10x25	Bolt	6	⊕ _{29,24}
68	2680250	Albero eccentrico "C/SP"	"C/SP" shaft	1	AR 903 (CI)
68	2680260	Albero eccentrico "C/SP"	"C/SP" shaft	1	AR 1053 (CL)
68	2680270	Albero eccentrico "C/SP"	"C/SP" shaft	1	AR 1203 (CM)
70	2680290	Anello seeger	Circlip	1	
71	2680280	Cuscinetto	Bearing	1	⊗
72	2680240	Flangia supp. albero	Flange	1	
73	1400150	Anello tenuta	Seal ring	1	⊗
74	1400110	Centraggio flangia	Flange spigot	1	
75	1400140	Flangia anello tenuta	Flange	1	
76	850250	Vite TCEI M 8x12	Bolt	4	
77	2680200	Albero eccentrico "C/F"	"C/F" shaft	1	AR 903 (CI)
77	2680210	Albero eccentrico "C/F"	"C/F" shaft	1	AR 1053 (CL)
77	2680220	Albero eccentrico "C/F"	"C/F" shaft	1	AR 1203 (CM)
78	230310	Cuscinetto	Bearing	1	⊗
79	2680130	Anello tenuta	Seal ring	1	⊗
80	2680021	Flangia supp. albero	Flange	1	
81	230340	Anello seeger	Circlip	1	

Alta Pressione
High Pressure



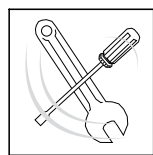
KIT 2367	
Membrane gomma Buna diaphragms	
KIT 2368	
Membrane HPDS HPDS diaphragms	
KIT 2369	
Membrane Desmopan Desmopan diaphragms	
Pos.	Q.ty
50	3



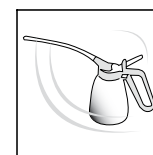
KIT 42200	
Valvole Valves	
Pos.	Q.ty
42	6
43	6



KIT 42201	
OR O-Rings	
Pos.	Q.ty
2	1
13	6
18	6
21	2
30	1
32	1
35	1
43	6
60	2
61	1



KIT 42202					
Pronto intervento Maintenance repair					
Pos.	Q.ty	Pos.	Q.ty	Pos.	Q.ty
1	1	59	1		
2	1	60	2		
13	6	61	1		
18	6	73	1		
19	1	79	1		
20	1				
21	2				
50	3				
51	3				
53	3				



Olio utilizzato	
Used oil	
Tipo - Type	Kg
Sae 20w 40	1,6